



**VECO**<sup>®</sup>  
GTX EPDM



“ The Power  
to serve Performance ”



**COLMANT  
CUVELIER**<sup>RPS</sup>

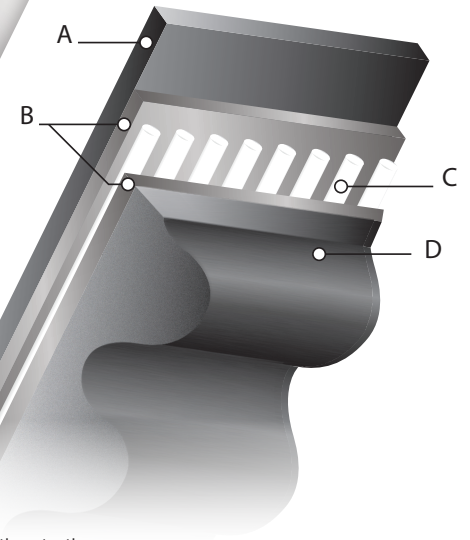
member of SANOK RUBBER GROUP

[www.colmant-cuvelier-rps.com](http://www.colmant-cuvelier-rps.com)

A generation of **raw edge cogged V-belts** **high performance** perfect for :

- **Compact** transmission
- **High speed** use
- Possibility to work in **arsh conditions**
- **Maintenance Free**

Transmissible power increased by + 25% which place the GTX EPDM as a product allowing cost reductions (Low lifetimecost of ownership)

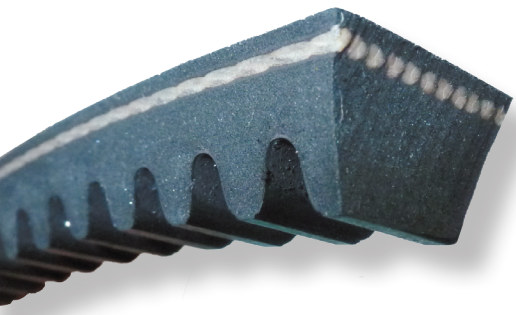


A : high strength protection  
 B : EPDM specific binding mixture  
 C : high strength cable, low stretch (stiffened reinforced polyester)  
 D : EPDM blend reinforced with oriented fibers

— HIGH PERFORMANCE —  
**HIGH TRANSMISSIBLE POWER**



**+25%** thanks to the combination of several parameters



- **Reinforced stiffened cable** positioned in a **specific bonding rubber**.
- **EPDM Special blend mixture with oriented fiber** ensuring greater resistance to transverse forces and reducing the effect of vibration.
- **Sidewall grinding with notching** (therefore less noisy, ensuring lower slip and better abrasion resistance).

Longer life ► **Cost Reduction**

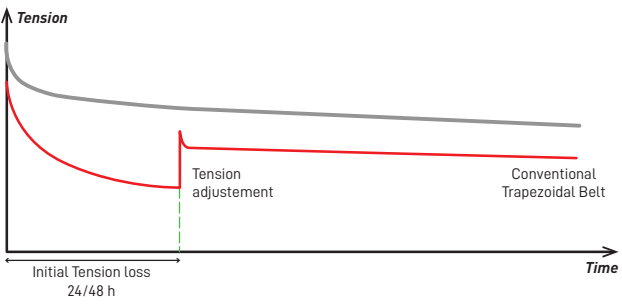
— EASY TO USE —  
**MAINTENANCE FREE**



- Reinforced & stiffened polyester cable, **ensuring low elongation and optimal tension resistance** from the first set-up and tensioning.

- **Increased lifespan (up 25%)** due to the use of an EPDM charged in fiber that provides greater resistance to abrasion.

- Atex compliants - (Iso 1813) - Rohs Oil & Gaz resistant.



- Ideal for **hostile environments**.
- 40°C
- +130°C



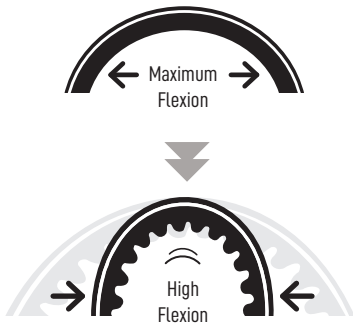
Easier maintenance ► **Cost Reduction**

	COLMANT	GTX EPDM	Oil&Heat Resistant	MAINTENANCE FREE	XPB 2000	5VX 790
	CUVELIER	GTX EPDM	ATEX & RoHS compliant	MAINTENANCE FREE	XPB 2000	5VX 790
	COLMANT	GTX EPDM	Oil&Heat Resistant	MAINTENANCE FREE	XPB 2000	5VX 790
	CUVELIER	GTX EPDM	ATEX & RoHS compliant	MAINTENANCE FREE	XPB 2000	5VX 790
	COLMANT	GTX EPDM	Oil&Heat Resistant	MAINTENANCE FREE	XPB 2000	5VX 790

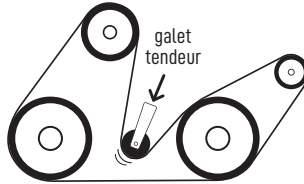
# INCREASED PERFORMANCES



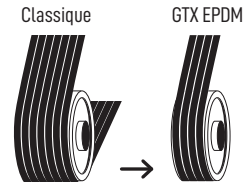
• **Optimized notch geometry** to achieve high winding properties



• **Enhanced exterior protection** allowing the use of a **pebble** and its use for a **serpentine transmission**.



• **Increased power transmission** to achieve reduced a more compact transmissions.



Reduce transmissions (More compact drive)  
Reduce dimensions

▶ **Cost Reduction**

# SECTIONS FEATURES



Sections

TYPE	Width L mm	Height H mm
XPZ/3VX	9,7	8
XPA	12,7	10
XPB/5VX	16,3	13
XPC	22	18

Winding diameter

Ø mini - Driven pulley mm	TYPE	Ø mini - Tensioner mm
56	XPZ/3VX	85
80	XPA	120
112	XPB/5VX	168
180	XPC	270

# INDUSTRIAL SECTOR



**Our team of engineers at your service**

- Facilities audits
- Reliability



**Check live stock levels or order from our website**

- Computational tools to size or control a transmission
- Data sheets



[www.colmant-cuvelier-rps.com](http://www.colmant-cuvelier-rps.com)

**XPZ**

Ref.	Lp / RMA
1150001	XPZ-530 / 3VX 210
1150002	XPZ-560 / 3VX 222
1150003	XPZ-587 / 3VX 233
1150004	XPZ-600 / 3VX 238
1150005	XPZ-612 / 3VX 243
1150006	XPZ-630 / 3VX 250
1150007	XPZ-640 / 3VX 254
1150008	XPZ-660 / 3VX 261
1150009	XPZ-670 / 3VX 265
1150010	XPZ-687 / 3VX 272
1150011	XPZ-710 / 3VX 280
1150012	XPZ-722 / 3VX 286
1150013	XPZ-737 / 3VX 292
1150014	XPZ-750 / 3VX 297
1150015	XPZ-762 / 3VX 300
1150016	XPZ-772 / 3VX 305
1150017	XPZ-787 / 3VX 311
1150018	XPZ-800 / 3VX 315
1150019	XPZ-812 / 3VX 321
1150020	XPZ-825 / 3VX 325
1150021	XPZ-837 / 3VX 331

Ref.	Lp / RMA
1150022	XPZ-850 / 3VX 335
1150023	XPZ-862 / 3VX 341
1150024	XPZ-875 / 3VX 346
1150025	XPZ-887 / 3VX 350
1150026	XPZ-900 / 3VX 355
1150027	XPZ-912 / 3VX 360
1150028	XPZ-925 / 3VX 366
1150029	XPZ-937 / 3VX 370
1150030	XPZ-950 / 3VX 375
1150031	XPZ-962 / 3VX 380
1150032	XPZ-975 / 3VX 385
1150033	XPZ-987 / 3VX 390
1150034	XPZ-1000 / 3VX 395
1150035	XPZ-1012 / 3VX 400
1150036	XPZ-1020 / 3VX 403
1150037	XPZ-1030 / 3VX 407
1150038	XPZ-1037 / 3VX 410
1150039	XPZ-1060 / 3VX 419
1150040	XPZ-1075 / 3VX 425
1150041	XPZ-1080 / 3VX 427
1150042	XPZ-1087 / 3VX 430

Ref.	Lp / RMA
1150043	XPZ-1112 / 3VX 440
1150044	XPZ-1120 / 3VX 442
1150045	XPZ-1137 / 3VX 450
1150046	XPZ-1150 / 3VX 454
1150047	XPZ-1162 / 3VX 459
1150048	XPZ-1180 / 3VX 465
1150049	XPZ-1187 / 3VX 469
1150050	XPZ-1202 / 3VX 475
1150051	XPZ-1212 / 3VX 479
1150052	XPZ-1220 / 3VX 482
1150053	XPZ-1237 / 3VX 490
1150054	XPZ-1250 / 3VX 494
1150055	XPZ-1262 / 3VX 498
1150056	XPZ-1270 / 3VX 500
1150057	XPZ-1280 / 3VX 505
1150058	XPZ-1287 / 3VX 508
1150059	XPZ-1312 / 3VX 518
1150060	XPZ-1320 / 3VX 520
1150061	XPZ-1337 / 3VX 530
1150062	XPZ-1362 / 3VX 538
1150063	XPZ-1387 / 3VX 548

Ref.	Lp / RMA
1150064	XPZ-1400 / 3VX 553
1150065	XPZ-1412 / 3VX 557
1150066	XPZ-1420 / 3VX 560
1150067	XPZ-1437 / 3VX 567
1150068	XPZ-1450 / 3VX 572
1150069	XPZ-1470 / 3VX 580
1150070	XPZ-1487 / 3VX 587
1150071	XPZ-1500 / 3VX 592
1150072	XPZ-1512 / 3VX 597
1150073	XPZ-1520 / 3VX 600
1150074	XPZ-1537 / 3VX 607
1150075	XPZ-1550 / 3VX 612
1150076	XPZ-1560 / 3VX 616
1150077	XPZ-1587 / 3VX 626
1150078	XPZ-1600 / 3VX 630
1150079	XPZ-1610 / 3VX 650
1150080	XPZ-1687 / 3VX 666
1150081	XPZ-1700 / 3VX 670
1150082	XPZ-1750 / 3VX 690
1150083	XPZ-1800 / 3VX 710
1150084	XPZ-1850 / 3VX 730

Ref.	Lp / RMA
1150085	XPZ-1900 / 3VX 750
1150086	XPZ-1950 / 3VX 770
1150087	XPZ-2000 / 3VX 790
1150088	XPZ-2030 / 3VX 800
1150089	XPZ-2120 / 3VX 836
1150090	XPZ-2160 / 3VX 850
1150091	XPZ-2240 / 3VX 883
1150092	XPZ-2280 / 3VX 900
1150093	XPZ-2360 / 3VX 931
1150094	XPZ-2410 / 3VX 950
1150095	XPZ-2500 / 3VX 986
1150096	XPZ-2540 / 3VX 1000
1150097	XPZ-2650 / 3VX 1045
1150098	XPZ-2690 / 3VX 1060
1150099	XPZ-2800 / 3VX 1104
1150100	XPZ-2840 / 3VX 1120
1150101	XPZ-3000 / 3VX 1180
1150102	XPZ-3150 / 3VX 1240
1150103	XPZ-3350 / 3VX 1320
1150104	XPZ-3550 / 3VX 1400

**XPA**

Ref.	Lp
1150105	XPA-550
1150106	XPA-570
1150107	XPA-595
1150108	XPA-608
1150109	XPA-625
1150110	XPA-642
1150111	XPA-663
1150112	XPA-690
1150113	XPA-716
1150114	XPA-732
1150115	XPA-750
1150116	XPA-757
1150117	XPA-782
1150118	XPA-800
1150119	XPA-815
1150120	XPA-832
1150121	XPA-850
1150122	XPA-875
1150123	XPA-882
1150124	XPA-900

Ref.	Lp
1150125	XPA-907
1150126	XPA-925
1150127	XPA-932
1150128	XPA-950
1150129	XPA-957
1150130	XPA-975
1150131	XPA-982
1150132	XPA-1000
1150133	XPA-1010
1150134	XPA-1020
1150135	XPA-1032
1150136	XPA-1045
1150137	XPA-1060
1150138	XPA-1082
1150139	XPA-1090
1150140	XPA-1107
1150141	XPA-1120
1150142	XPA-1132
1150143	XPA-1150
1150144	XPA-1157

Ref.	Lp
1150145	XPA-1165
1150146	XPA-1180
1150147	XPA-1207
1150148	XPA-1220
1150149	XPA-1232
1150150	XPA-1250
1150151	XPA-1257
1150152	XPA-1270
1150153	XPA-1275
1150154	XPA-1282
1150155	XPA-1300
1150156	XPA-1307
1150157	XPA-1320
1150158	XPA-1332
1150159	XPA-1360
1150160	XPA-1382
1150161	XPA-1400
1150162	XPA-1425
1150163	XPA-1450
1150164	XPA-1457

Ref.	Lp
1150165	XPA-1482
1150166	XPA-1500
1150167	XPA-1507
1150168	XPA-1522
1150169	XPA-1532
1150170	XPA-1550
1150171	XPA-1557
1150172	XPA-1582
1150173	XPA-1600
1150174	XPA-1607
1150175	XPA-1632
1150176	XPA-1650
1150177	XPA-1700
1150178	XPA-1732
1150179	XPA-1750
1150180	XPA-1782
1150181	XPA-1800
1150182	XPA-1850
1150183	XPA-1900
1150184	XPA-1950

Ref.	Lp
1150185	XPA-2000
1150186	XPA-2060
1150187	XPA-2082
1150188	XPA-2120
1150189	XPA-2180
1150190	XPA-2240
1150191	XPA-2300
1150192	XPA-2360
1150193	XPA-2430
1150194	XPA-2500
1150195	XPA-2650
1150196	XPA-2800
1150197	XPA-3000
1150198	XPA-3150
1150199	XPA-3350
1150200	XPA-3550
1150201	XPA-3750
1150202	XPA-4000

**XPB**

Ref.	Lp / RMA
1150203	XPB-1000 / 5VX 398
1150204	XPB-1060 / 5VX 422
1150205	XPB-1080 / 5VX 430
1150206	XPB-1120 / 5VX 445
1150207	XPB-1180 / 5VX 470
1150208	XPB-1250 / 5VX 495
1150209	XPB-1270 / 5VX 505
1150210	XPB-1320 / 5VX 524
1150211	XPB-1340 / 5VX 530
1150212	XPB-1400 / 5VX 556

Ref.	Lp / RMA
1150213	XPB-1450 / 5VX 575
1150214	XPB-1500 / 5VX 595
1150215	XPB-1510 / 5VX 600
1150216	XPB-1550 / 5VX 615
1150217	XPB-1590 / 5VX 630
1150218	XPB-1600 / 5VX 634
1150219	XPB-1650 / 5VX 654
1150220	XPB-1700 / 5VX 674
1150221	XPB-1750 / 5VX 693
1150222	XPB-1800 / 5VX 713

Ref.	Lp / RMA
1150223	XPB-1850 / 5VX 733
1150224	XPB-1900 / 5VX 750
1150225	XPB-1950 / 5VX 772
1150226	XPB-2000 / 5VX 790
1150227	XPB-2020 / 5VX 800
1150228	XPB-2060 / 5VX 815
1150229	XPB-2120 / 5VX 840
1150230	XPB-2150 / 5VX 850
1150231	XPB-2240 / 5VX 886
1150232	XPB-2280 / 5VX 900

Ref.	Lp / RMA
1150233	XPB-2360 / 5VX 935
1150234	XPB-2410 / 5VX 953
1150235	XPB-2500 / 5VX 990
1150236	XPB-2530 / 5VX 1000
1150237	XPB-2650 / 5VX 1050
1150238	XPB-2680 / 5VX 1060
1150239	XPB-2800 / 5VX 1105
1150240	XPB-2840 / 5VX 1120
1150241	XPB-2900 / 5VX 1146
1150242	XPB-3000 / 5VX 1180

Ref.	Lp / RMA
1150243	XPB-3150 / 5VX 1240
1150244	XPB-3250 / 5VX 1280
1150245	XPB-3350 / 5VX 1320
1150246	XPB-3550 / 5VX 1400
1150247	XPB-3750 / 5VX 1480
1150248	XPB-4000 / 5VX 1579
1150249	XPB-4250 / 5VX 1678
1150250	XPB-4500 / 5VX 1775
1150251	XPB-4750 / 5VX 1875
1150252	XPB-5000 / 5VX 1975

**XPC**

Ref.	Lp
1150253	XPC-1900
1150254	XPC-2000
1150255	XPC-2120
1150256	XPC-2240

Ref.	Lp
1150257	XPC-2360
1150258	XPC-2500
1150259	XPC-2650
1150260	XPC-2800

Ref.	Lp
1150261	XPC-3000
1150262	XPC-3150
1150263	XPC-3350
1150264	XPC-3550

Ref.	Lp
1150265	XPC-3750
1150266	XPC-4000
1150267	XPC-4250
1150268	XPC-4500

Ref.	Lp
1150269	XPC-4750
1150270	XPC-5000

